



Technical
Documentation

PORTEO



reddot design award
winner 2005



JANUS 2007
DE L'INDUSTRIE



PLUS X AWARD
achieved for:
Ease of Use



www.dorma.com/porteo

PORTEO –the door assistant that adds convenience to doors

The PORTEO offers an innovative and convenient way to open and close doors effortlessly. With all the elegance of the DORMA Contur design, the PORTEO is specifically suited to interior doors, performing all the functions needed to make life just that little bit easier for all. High-quality DORMA technology makes the PORTEO particularly easy to operate – with minimum noise, high functional reliability and excellent application adaptability. The PORTEO is an integrated solution that comes in a complete package with slide channel and mounting backplate. It offers outstanding convenience and safety plus fast and easy installation, thanks to its impeccable “plug&go” credentials.

The PORTEO can be further functionalised with original DORMA system accessories to give even more operating convenience, user-friendliness and enhanced safety. In combination with an optional pushbutton and an electric strike, for example, the door can be simply opened with fingertip control. For even greater opening and closing convenience, there is also a hand-held transmitter available – there’s simply no more flexible a system.

The PORTEO is the inexpensive solution for opening and closing doors the convenient way. Safe, reliable and readily retrofittable.

Certified to ISO 9001

Benefits point for point

- Door assistant for swing doors
- Effortless opening and closing of swing doors up to a width of 1100 mm and a leaf weight of 80 kg.
- Compact dimensions 60 x 530 x 80 mm (H x W x D), particularly suitable for use in conjunction with narrow-stile and standard profile door systems.
- Extremely low overall height of just 60 mm.
- One model for all four fixing options: pull and push side, transom-fixed or leaf-fixed
- Easy installation thanks to “plug&go” supply, with standard mounting backplate
- Near-silent operation
- In DORMA Contur design, cubic lines, winner of the 2005 red dot award and “Le Janus de l’Industrie 2007“
- GGT-approved



Applications	
Interior doors, single-leaf <input checked="" type="checkbox"/>	
Door leaf width	≤1100 mm
Door leaf weight, max.	80 kg

PORTEO technical data	
Transom-fixed/Leaf-fixed	●
Push-side/Pull-side	●
Non-handed	●
Latching action with on/off switch	●
Dimensions H x W x D	60 x 530 x 80 mm
Weight	3,2 kg
Power supply data	230 V AC, 50/60 Hz
Power supply to external loads	24 V DC, 300 mA
Class of protection	IP 20
Low-energy mode	●
Compliant with DIN 18650	●
CE marking	●
GS mark, TÜV-approved	●

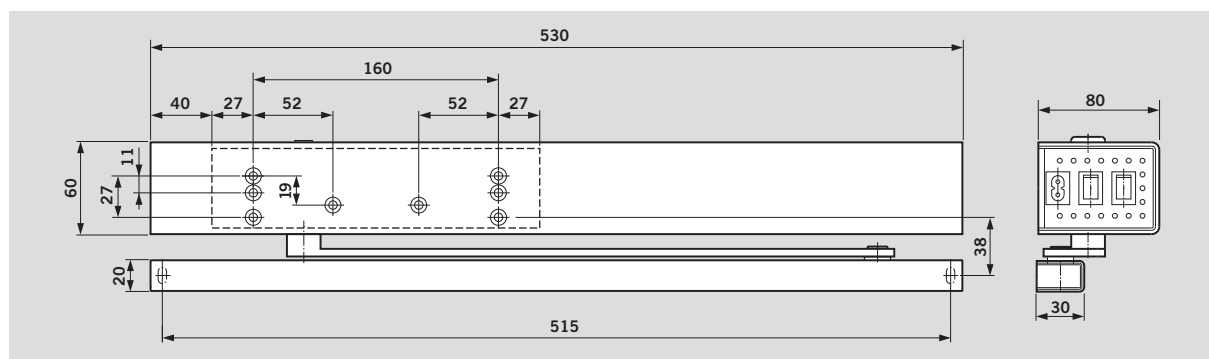
Adjustable parameters	
Opening time (0°–90°) adjustable	5 to 10 sec.
Closing time (90°–0°) adjustable	5 to 10 sec.
Hold-open time adjustable	5 to 30 sek.*
Opening angle adjustable, max.	110°

* in operating mode PowerLess 0.5 to 30 sek.








Standard function modes	
PowerLess	●
Push&Go	●
PowerMotion	●
PermanentOpen	●
Obstruction detection	●
Anti-tamper safety disconnection	●

Prepared for following accessories	
Electric strike, e.g. DORMA Basic model	○
Hand-held transmitter, e.g. DORMA RC-T HandHeld	○
Pushbutton, e.g. DORMA System 55 devices	○

● Standard ○ Option



Standard functions

Operating mode	Door equipment	Settings	
		Programme switch	Potentiometer
 <p>PowerLess Effortless manual door opening. Door closes automatically following individually preset hold-open time.</p>	<ul style="list-style-type: none"> – Standard lock – Lever handle 	I	<p>1</p> 
 <p>Push&Go Once door opened manually 3°, automatic door opening function initiated. PORTEO then closes the door again automatically after pre-set hold-open time.</p>	<ul style="list-style-type: none"> – Standard lock – Lever handle 	I	<p>1</p>  <p>Opening and closing time adjustable.</p>
 <p>PowerMotion Automatic opening and closing of door in combination with an electric strike and external activators such as manual push-button, radio remote control or transponder. As soon as signal transmitted and electric strike released, door automatically opens and then closes again after pre-set hold-open time.</p>	<ul style="list-style-type: none"> – Standard lock – Electric strike – External activator 	I	<p>2</p>  <p>Hold-open time adjustable</p>
 <p>PermanentOpen This function enables the door to be held open for as long as required. Door closes again on receipt of new signal, activated either from the programme switch (door lock must be disengaged) or by pressing a pushbutton twice (current impulse relay function).</p>		II	

Programme switch modes



Switch position 0 = OFF



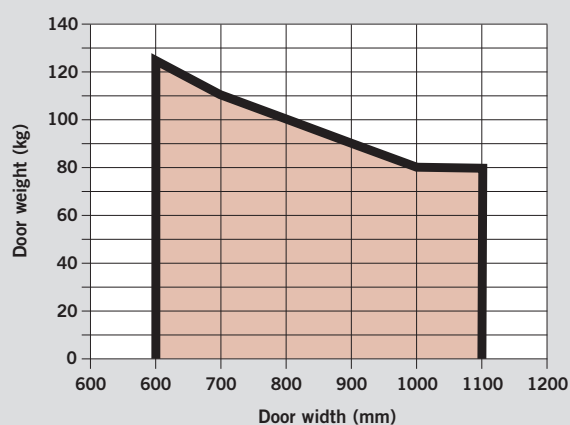
Switch position I = PowerMotion



Switch position II = PermanentOpen

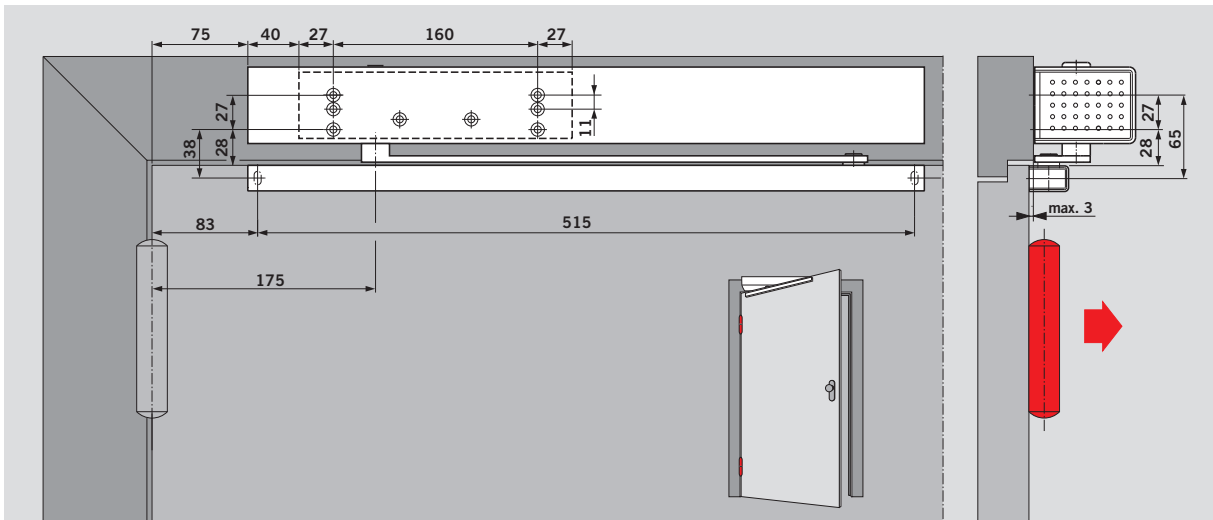
Main power switch must be "ON" to activate operating modes.

Max. permissible door widths and weights



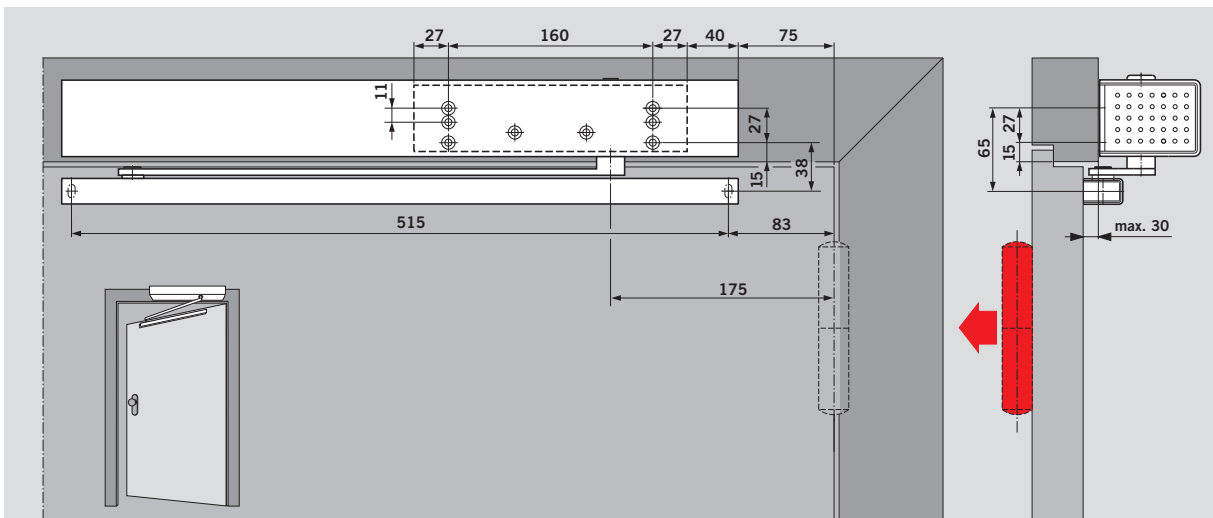
Transom-fixed, pull side

(Example refers to left-hand (ISO 6) door; mirror image applies to right-hand (ISO 5) door)



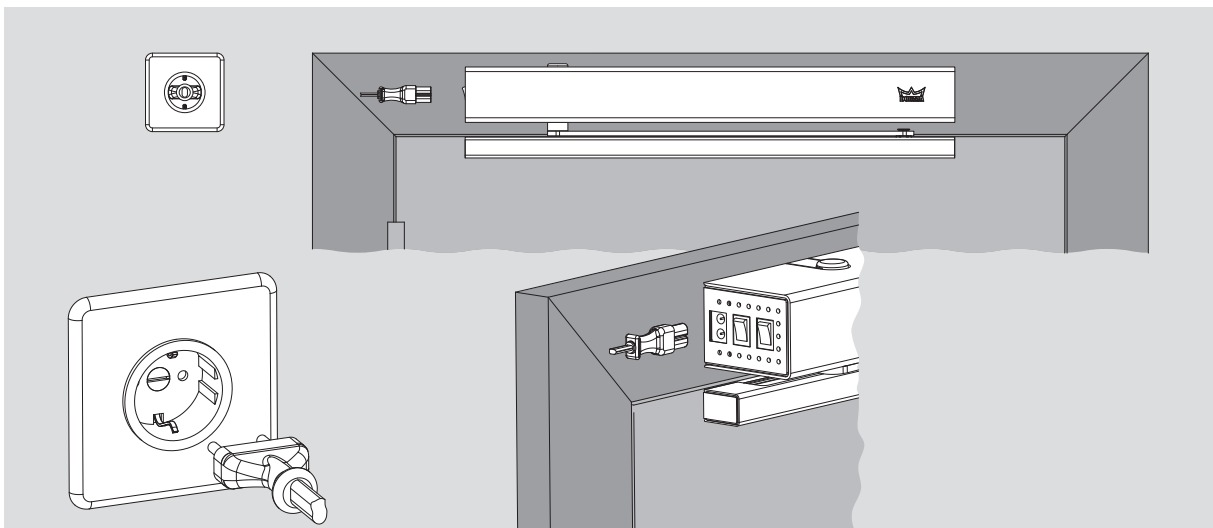
Transom-fixed, push side

(Example refers to left-hand (ISO 6) door; mirror image applies to right-hand (ISO 5) door)



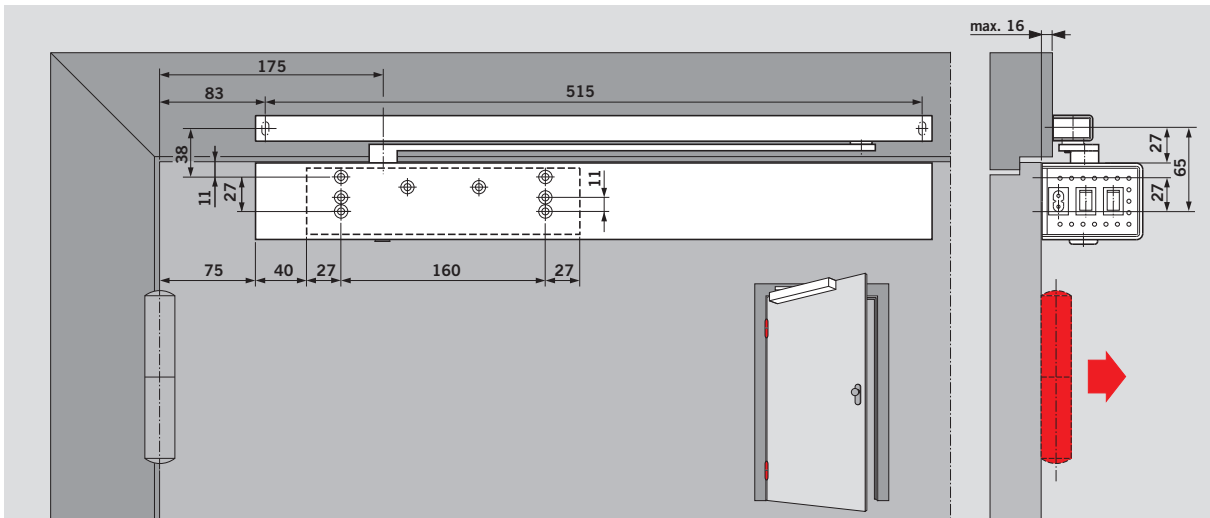
Plug&Go Power connector for mains outlet

(Example refers to left-hand (ISO 6) door; mirror image applies to right-hand (ISO 5) door)



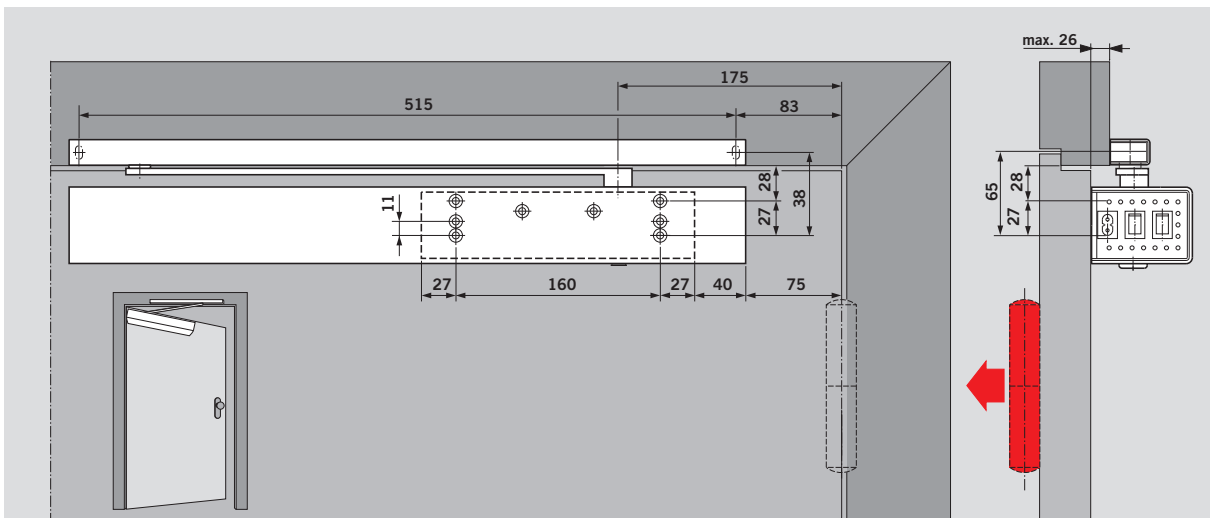
Leaf-fixed, pull side

(Example refers to left-hand (ISO 6) door; mirror image applies to right-hand (ISO 5) door)

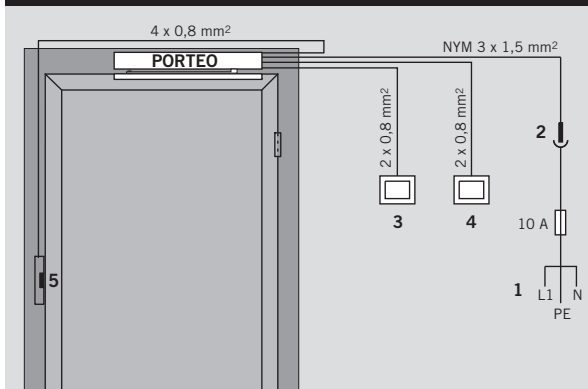


Leaf-fixed, push side

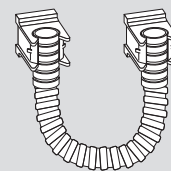
(Example refers to left-hand (ISO 6) door; mirror image applies to right-hand (ISO 5) door)



Cable diagram

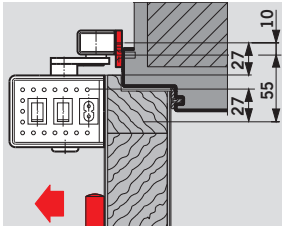


Type 500 flexible cable conduit



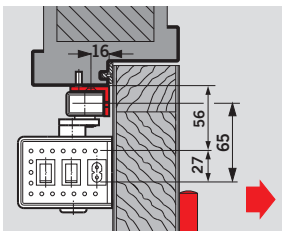
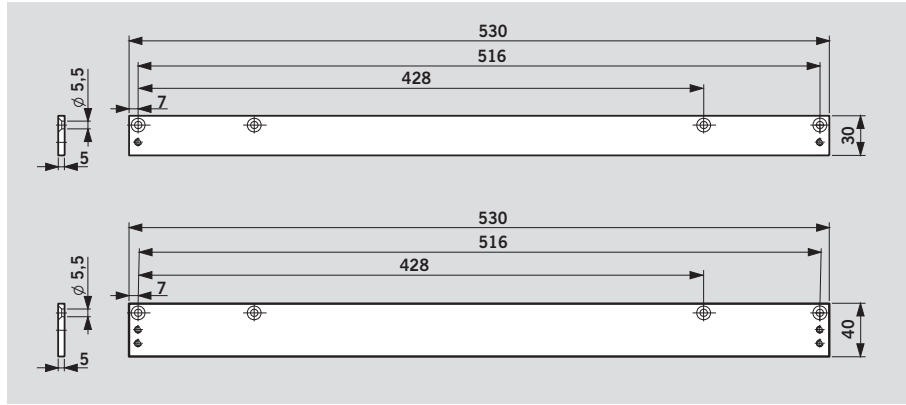
The safe and reliable solution from DORMA for protecting the cables required for door-leaf fixing.

- 1 Power feeder, permanent connection
- 2 2-pole-and-earth socket
- 3 Internal pushbutton
- 4 External pushbutton
- 5 Electric strike



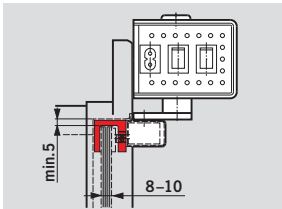
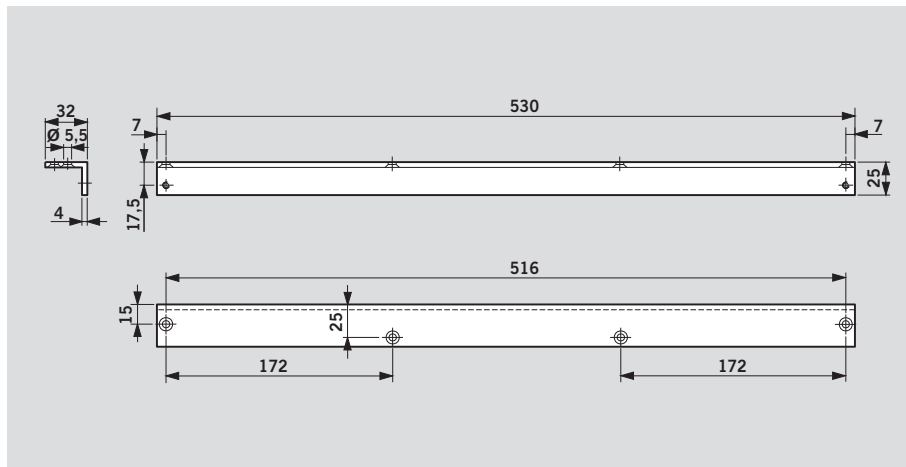
Mounting backplate 30 mm or 40 mm

For fixing the slide channel to door frames for which direct installation is not possible.



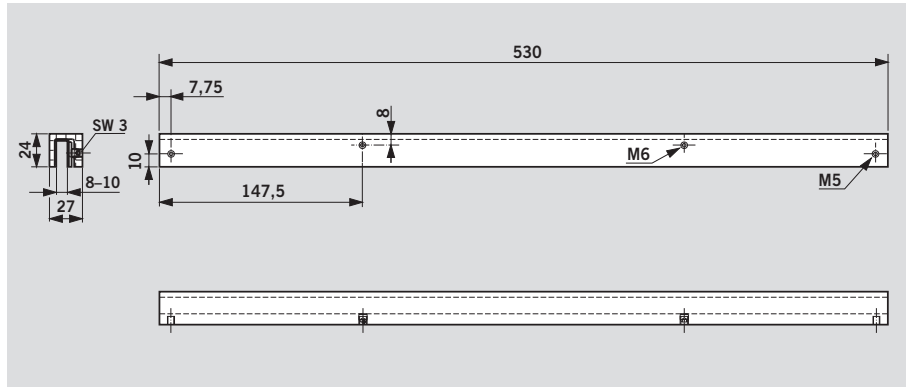
Angle bracket

For fixing the slide channel to door frames with a deep top jamb, for push-side transom fixing. For top jamb depths of -20 to +200 mm with optional projecting arm assembly



Glass saddle plate

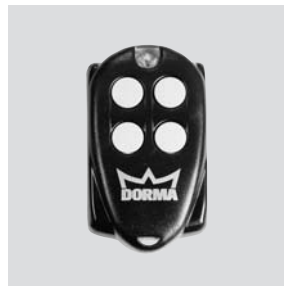
For fixing the slide channel to all-glass doors – no glass machining necessary. Transom-fixing on the pull side only.



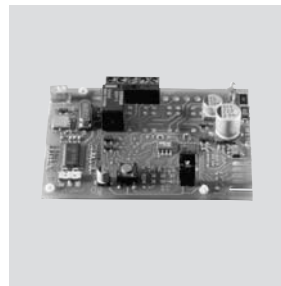
Optional activators, radio receivers, electric strikes



Manual pushbutton, System 55



Radio transmitter RC-T HandHeld

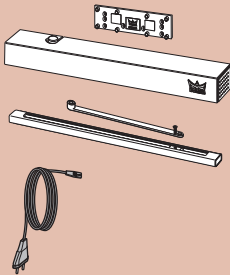



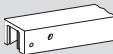








Radio receiver RC-R



Electric strike type Basic

Standard equipment and accessories

PORTEO 230 V  600100xx	Angle bracket  600410xx	Mounting backplate 30 mm  600411xx	Mounting backplate 40 mm  600412xx	Glass saddle plate  600413xx	Flexible cable conduit type 500  60041401
	Electric strike Fail-secure type Basic  15117124	Fail-safe type Basic-Safe  15137124	Strike plate FLM 24  15180224	Manual pushbutton System 55  19144701170	Radio transmitter RC-T HandHeld  16562101170

Colour	xx
Silver	01
White (sim. to RAL 9016)	11

Specification text for the DORMA PORTEO Door Assistant

Electro-mechanical door assistant operating in low-energy mode (for force limitation) to DIN 18650, including slide channel and mounting backplate, with CE mark, in DORMA Contur design.

Operating options:
 PowerLess (effortless opening, automatic closing) or PowerMotion (automatic opening and closing).
 Opening and closing speeds, hold-open time and opening angle adjustable.
 Latching action as standard.
 Non-handed. Mounting backplate with universal fixing hole pattern. For transom or leaf-fixing on the pull or push side.

Door parameters

- Single-leaf interior doors, not suitable for fire and smoke check doors
 - Door parameters
 - Single-leaf interior doors, not suitable for fire and smoke check doors
 - Door leaf widths: max. 1100 mm (dependent on door weight)
 - Door leaf weight per leaf: max. 80 kg (dependent on door width)
 - Opening angle per door leaf: min. 100° in any fixing pattern
 - Operator dimensions: 60 mm x 530 x 80 mm (H x W x D)
 - Programme switch operating modes (0 I II):
 0 = OFF, I = PowerMotion, II = PermanentOpen
- Extended functional options:
- PowerLess (adjustable via potentiometer)
 - Push&Go (always active in the PowerMotion mode)
 - Power supply data: 230 V AC, 50/60 Hz, integrated system ready for connection

Model particulars

- Complete package including slide channel and mounting backplate suitable for all four fixing patterns

Colour

- Silver
- White, sim. to RAL 9016

Electric strike options:

- Fail-secure; closes when de-energised;
Type:
- Fail-safe, opens when de-energised;
Type:

Activator options:

- Manual pushbutton;
Type:
- Hand-held transmitter;
Type:
- Receiver for hand-held transmitter;
Type:

Tested according to the "Guidelines for Powered Windows, Doors and Gates", BGR 232, DIN 18650-1/2 (12/2005 issue), EMC (CE mark), GS mark (TÜV type approval test) and VDE regulations, latest issue in each case. Manufacture certified to ISO 9001.

Make: DORMA Porteo

 Porteo



www.dorma.com/porteo

DORMA worldwide

Central Europe

DORMA GmbH + Co. KG
Breckerfelder Str. 42-48
D-58256 Ennepetal
Phone +49 2333 793-0
Fax +49 2333 793-495

Australia

DORMA Door Controls Pty. Ltd.
46-52, Abbott Road
Hallam/Victoria 3803
Australia
Phone +61 3979 63555
Fax +61 3979 63955

DORMA BWN Automatics Pty. Ltd.

46-52, Abbott Road
Hallam/Victoria 3803

Australia
Phone +61 3979 64111
Fax: +61 3979 63767

China/Hong Kong

DORMA Door Controls
(Suzhou) Co. Ltd.
No. 9, Hong Feng Road
Suzhou Singapore Industrial Park
Suzhou, 215021
P.R. of China
Phone +86 512 67612481
Fax +86 512 67614582

DORMA Door Controls Ltd.
Room 701, Technology Plaza

651 King's Road
North Point

Hong Kong
Phone +852 25034632
Fax +852 28875370

Emerging Markets

DORMA GmbH + Co. KG
Breckerfelder Str. 42-48
D-58256 Ennepetal
Phone +49 2333 793-0
Fax +49 2333 793-495

DORMA Door Controls (Pty.) Ltd.

Kings Court, 4A Mineral Crescent
ZA-2000 Crown/Gauteng

South Africa
Phone +27 11 8300280
Fax +27 11 8300291

Far East

DORMA Far East Pte. Ltd.
31 Gul Lane
Singapore 629425
Phone +65 6268 7633
Fax +65 6265 7995

France

DORMA France S.A.S.
Europarc
42, rue Eugène Dupuis
F-94046 Créteil
Phone +33 1 41942400
Fax +33 1 41942401

DORMA Accueil S.A.S.
ZAC de l'Echangeur
Rue Saint Eloi
F-73100 GRESY SUR AIX
Phone +33 4 79348924
Fax +33 4 79348923

Gulf

DORMA Gulf Door Controls FZE
Jebel Ali Free Zone South
Plot No. S 20135
Road No. SW 301 G
P.O. Box 17268
Dubai - United Arab Emirates
Phone +971 4 8020400
Fax +971 4 8869100/8869101

DORMA Arabia Automatic Doors Ltd.

P.O. Box 1633
Dammam 31441

Kingdom of Saudi Arabia
Phone +966 38 472394
Fax +966 38 472368

North America

DORMA Architectural Hardware
DORMA Drive, Drawer AC
Reamstown, PA 17567-0411
Phone +1 800 5238483
Fax +1 800 2749724

DORMA Automatics, Inc.
924 Sherwood Drive
Lake Bluff, IL 60044 - USA
Phone +1 877 367-6211
Fax +1 877 423-7999

Scanbalt

DORMA Sverige AB
Datavägen 20
SE-43632 Askim
Phone +46 31 289520
Fax +46 31 281739

South America

DORMA Sistemas de Controles
para Portas Ltda.
Av. Piracema, 1400
Centro Empresarial Tambore
CEP 06460-933 Barueri/
São Paulo, Brasil
Phone +55 11 46899200
Fax +55 11 46899215

South-East Europe

DORMA Austria GmbH
Pebering Strass 22
A-5301 Eugendorf
Phone +43 6225 284880
Fax +43 6225 28491

DORMA AKS Automatic GmbH

Pebering Strass 22
A-5301 Eugendorf
Phone +43 6225 8636-0
Fax +43 6225 265900

South Europe

DORMA Italiana S.r.l.
Via. Canova 44/46
I-20035 Lissone (MI)
Phone +39 039 244031
Fax +39 039 24403310

DORMA Ibérica, S.A.
Camino San Martín de la Vega, 4
E-28500 Arganda del Rey (Madrid)
Phone +34 91 8757850
Fax +34 91 8757881

UK/Ireland

DORMA UK Ltd.
Wilbury Way, Hitchin
GB-Hertfordshire SG40AB
Great Britain
Phone +44 1462 477600
Fax +44 1462 477601



Door Control



Automatic



Glass Fittings
and Accessories



Security/Time
and Access (STA)



Movable Walls



4 021226 1322017