



Automatic
Flush bolt

DORMA HZ

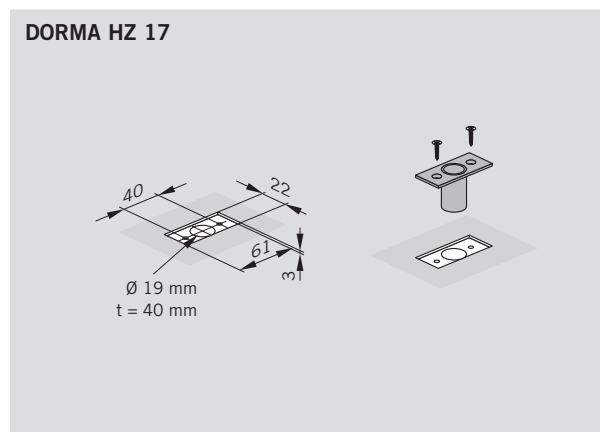
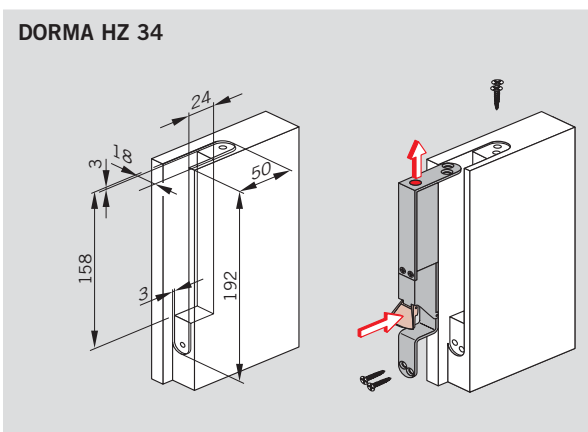
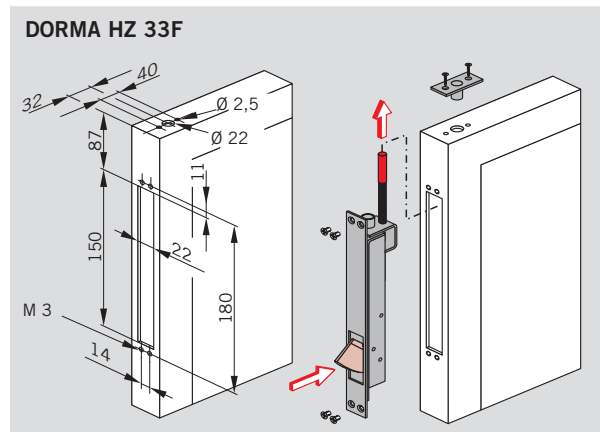
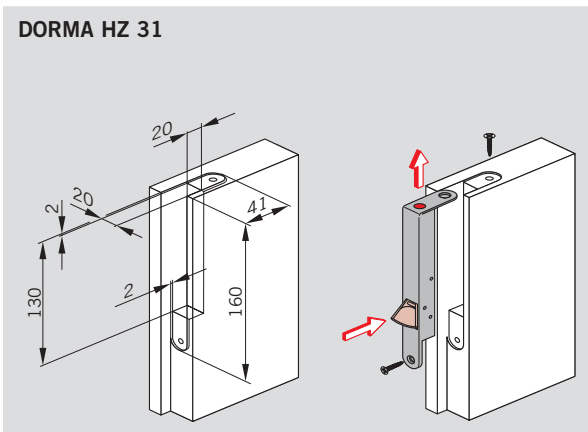
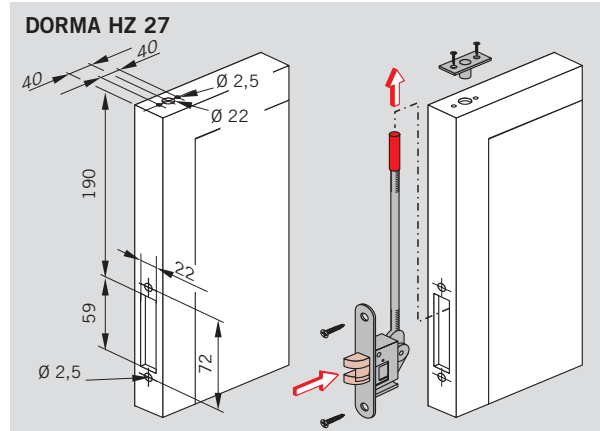
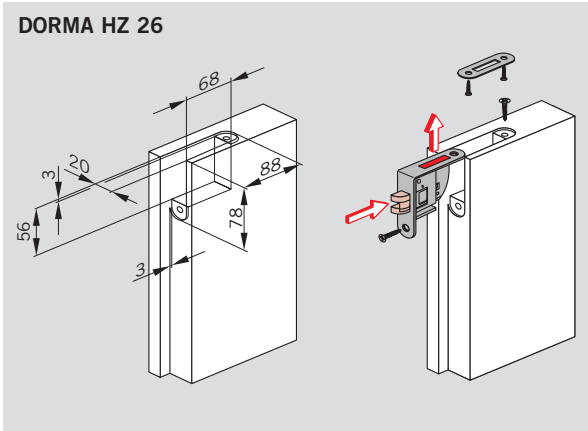
The DORMA HZ Automatic Flush bolt provides the solution for all double-leaf doors, particularly for fire check doors on which anti-panic emergency exit locks with automatic locking action and/or automatic door operators are used. With just a simple action, the active leaf can be opened via the SVP lock control, which simultaneously unlocks the inactive leaf allowing it to be opened.

F Verification of suitability

General building certification authority test certification. System approval certification is required in conjunction with fire and smoke check doors.

Data and features	HZ26	HZ27	HZ31	HZ33F	HZ34
Wooden doors	●	—	●	○	●
Metal doors	●	●	●	●	—
Version DIN-L	—	—	●	●	●
DIN-R	—	—	●	●	●
DIN Universal	●	●	—	—	—
Top fitted	●	●	●	●	●
Bottom fitted	—	—	●	●	●

● = yes — = no ○ = optional



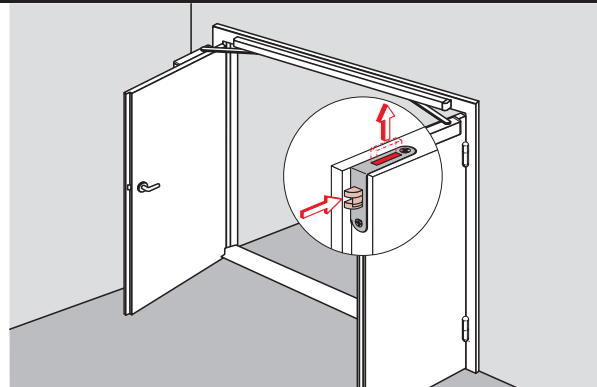
Applications and Fixing

The inactive leaf can be unlocked simultaneously when the active leaf is opened.

The door closing sequence control guarantees that the inactive leaf will close before the active leaf. The inactive leaf engages the latch on the DORMA HZ Automatic Flush bolt, which causes the bolt

to advance and lock the inactive leaf door.

Example:
Closing sequence control DORMA TS 93 GSR, DORMA SVP self-locking anti-panic emergency lock and DORMA HZ 26 Automatic Flush bolt.



Specification text

DORMA HZ

Automatic fixed wing locking element

DORMA HZ 26

For profiled and solid doors, DIN universal through reversible latch, galvanized, for top fitting

DORMA HZ 27

For profiled doors, DIN universal through reversible latch, galvanized, for top fitting

DORMA HZ 31

For profiled and solid doors, galvanized,
 for DIN left installation top / DIN right bottom
 for DIN right installation top / DIN left bottom

DORMA HZ 33F

For profiled doors, galvanized, spring-loaded bolt,
 for DIN left installation top / DIN right bottom
 for DIN right installation top / DIN left bottom
 Sleeve variant for wooden doors on request

DORMA HZ 34

For solid doors, galvanized,
 for DIN left installation top / DIN right bottom
 for DIN right installation top / DIN left bottom

DORMA HZ 17

Dust-protected floor socket, galvanized, stainless spring


Order No.




15912600  HZ

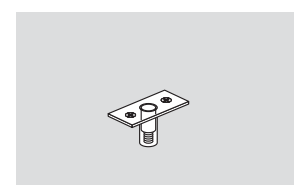
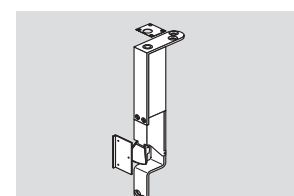
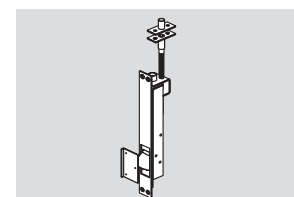
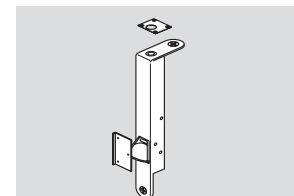
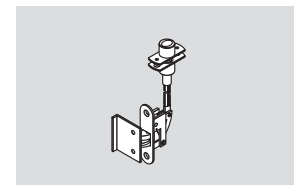
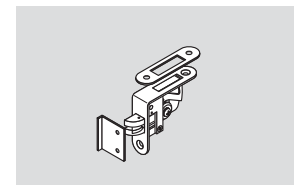
15912700  HZ

15913101  HZ
 15913102

15913301  HZ
 15913302

15913401  HZ
 15913402

15911700  HZ





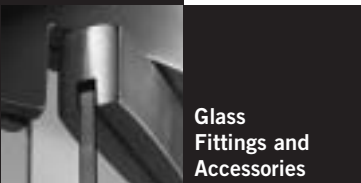
www.dorma.com



Door Control



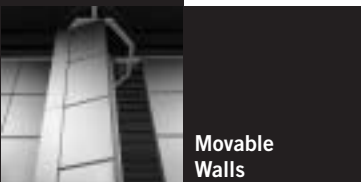
Automatic



Glass
Fittings and
Accessories



Security/
Time and
Access (STA)



Movable
Walls

DORMA GmbH + Co. KG
Breckerfelder Str. 42-48
D-58256 Ennepetal
Tel.: +49 23 33/7 93-0
Fax: +49 23 33/7 93-4 95

The address of a subsidiary/
representation in your area you
can find at the DORMA website:
www.dorma.com